



# T20I Timberwolf Woodburning Insert



T20I Wood Insert

## KEY SERIES FEATURES

- Up to 65,000 BTU
- 1.9 cu. ft. firebox capacity
- Burn time: 8 hours
- Weighted average emissions rate: 2.25 g/hr.
- Weighted average overall efficiency: 72%
- Tested and certified to EPA 2020 cord wood requirements
- Hidden hinges and extra large glass viewing area
- Minimum fireplace opening: 25 7/8"W x 22"H x 14"D
- Dual blower system included
- Ceramic fiber baffle system
- Flue Size: 6"

The Napoleon T20I woodburning fireplace Insert is clean and contemporary looking and features EPA 2020 certified woodburning technology. Extremely long burn times ensure you can watch the fire for pleasure instead of babysitting the fire for reloading. An included blower kit quietly circulates heat throughout the space. Clean and contemporary lines allow this wood-burning fireplace insert to blend into your current décor while remaining highly efficient.



SCH1B3041 30"h x 41"w  
Backer plate (Required)



Easy To Open Door Handle



Blower (Included)



Air Shutter Control



Large Glass Viewing Area



T20I Wood Insert

The T-Series woodburning fireplace inserts are clean and contemporary looking. Featuring EPA 2020 certified woodburning technology and extremely long burn times. The extra-large viewing area ensures that you can watch the fire for pleasure instead of babysitting the fire for reloading. An included dual blower system quietly circulates heat throughout your room. Clean and contemporary lines allow this woodburning fireplace insert to blend into your current décor while remaining highly efficient.

# T20I Timberwolf Woodburning Insert

## FEATURES

COLOR	Black
BURN TIME (ON LOW SETTING)	8 hours
COMBUSTION TECHNOLOGY	Non-catalytic
RECOMMENDED HEATING AREA (1)	800 - 1,800 ft <sup>2</sup>
HEATING CAPACITY - BTU/h, SEASONED CORD WOOD	65,000 BTU/h
EMISSIONS (EPA)	2.25 g/h
OPTIMUM EFFICIENCY	72.10%
FIREBOX DIMENSIONS (W X D)	20 7/8" x 14 5/8"
FIREBOX VOLUME	1.9 ft <sup>3</sup>
GLASS VIEWING AREA (W X H)	18 1/2" x 10 7/8"
DOOR TYPE	Cast Iron Door
MAXIMUM LOG LENGTH	16"
LOG POSITIONING	Over width
FLUE COLLAR DIAMETER	6"
GLASS TYPE	Ceramic glass
WARRANTY	Presidents Limited lifetime

## EXTERIOR DIMENSIONS AND WEIGHT

WIDTH	25 3/8"
DEPTH	26 1/2"
HEIGHT	20 1/2"
WEIGHT	370 lb.

## MINIMUM CLEARANCES (Fig. 1)

A - Sidewall	16"
B - Mantel	30"
C - Top Facing	22"
D - Side Facing	10"
E - Hearth (front)	22"
F - Minimum hearth thickness	1"
G - Hearth (side)	8"
H In front of insert	48"

## MINIMUM EXISTING FIREPLACE DIMENSIONS (Fig. 2)

I - Width (rear)	25 7/8"
J - Width (front)	25 7/8"
K - Height (front)	22"
L - Height (front)	22"
M - Depth	14"
N - Hearth depth	22"
O - Hearth width	41 3/8"
P - Facing width	45 3/8"
Q - Facing height	42 5/8"
R - Mantle	50 5/8"

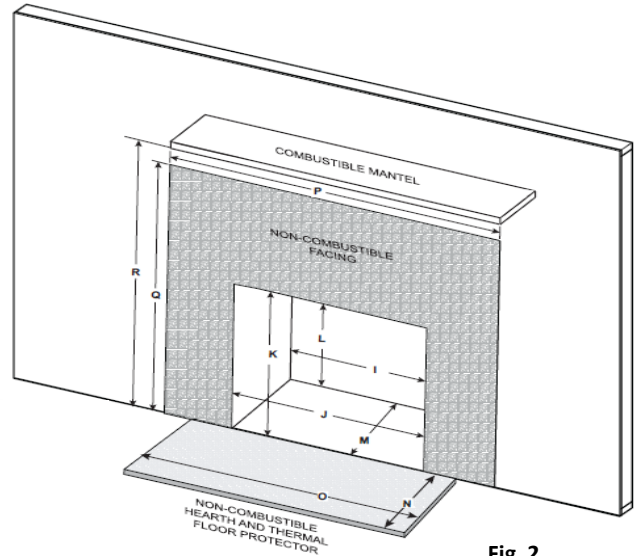


Fig. 2

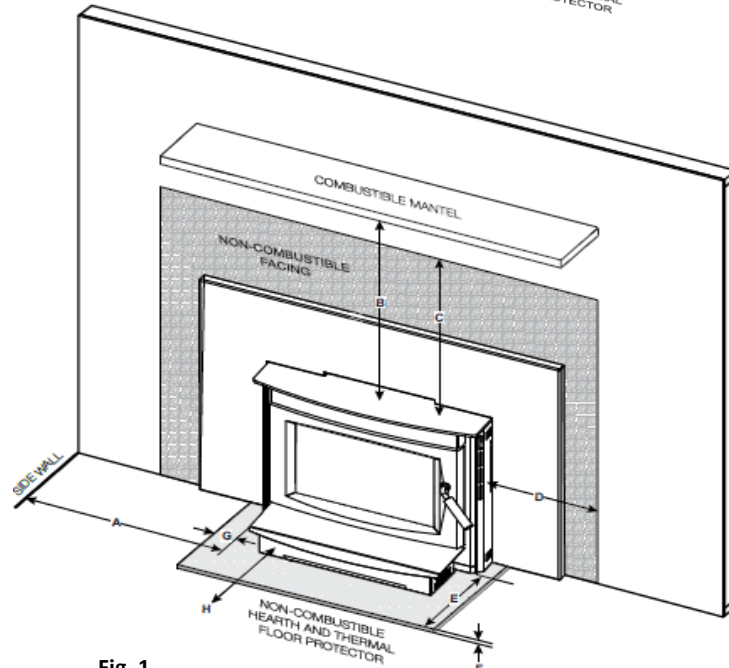
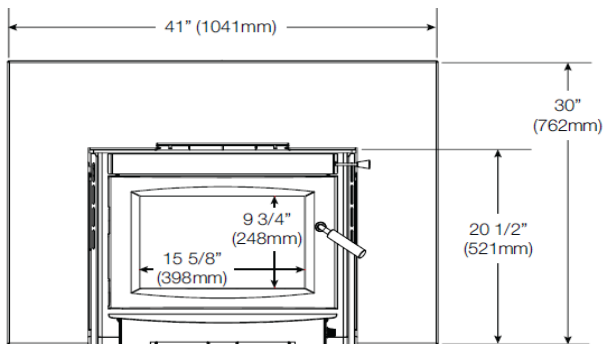


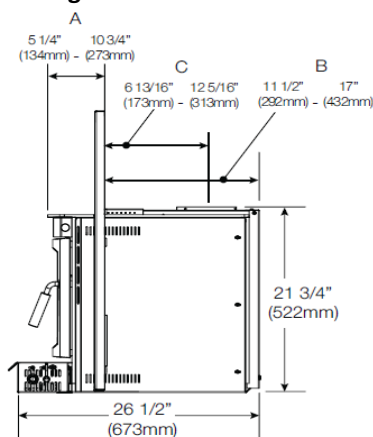
Fig. 1

## Unit Dimensions

### Front View



### Right Side View



### Top View

