



TDS28N Direct Vent Gas Stove



TDS28N Direct Vent Gas Stove

KEY SERIES FEATURES

- UP TO 30,000 BTU'S
- Heat radiating ceramic glass
- Safety Screen Included
- Flame/Heat adjustment for maximum and efficiency
- Safety Screen Included
- No Electricity Required
- Built-in blower extracts maximum heat from the extra large heat exchanger
- Equipped with 100% SAFE GUARD™ gas control system for your peace of mind
- Flue Size: 4" /7"
- Approved for Ventis, Duravent, Amerivent, Direct Temp and SuperSeal direct vent systems

The Timberwolf TDS28N Gas Stove is compact in size but not in power. The advanced burner system produces realistic dancing flames that surrounds the hand-painted Logs to create the look of a real wood-burning fire. Accentuate your style with aesthetically pleasing details in black or chrome. The millivolt ignition ensures safe operation and lighting, even in the event of a power failure. Amazing things do come in small packages and when space is limited, but the need for comfort and warmth calls for a fireplace, Timberwolf TDS28N Gas Stove is right there with a perfect fit.



Choice of Black or
Stainless Fronts



Andirons (Included)



Trivet (Included)



Blower (Included)



F45 Digital
On/Off Remote



F45 Digital T/Stat
On/Off Remote

Optional



TDS28N Direct Vent Gas Stove

If you have limited space but still desire the beauty and convenience of a gas stove... The TDS28N is the answer! Offering many options and a variable heat range as high as 30,000 BTU's, this stove may be compact in stature, but not in power!

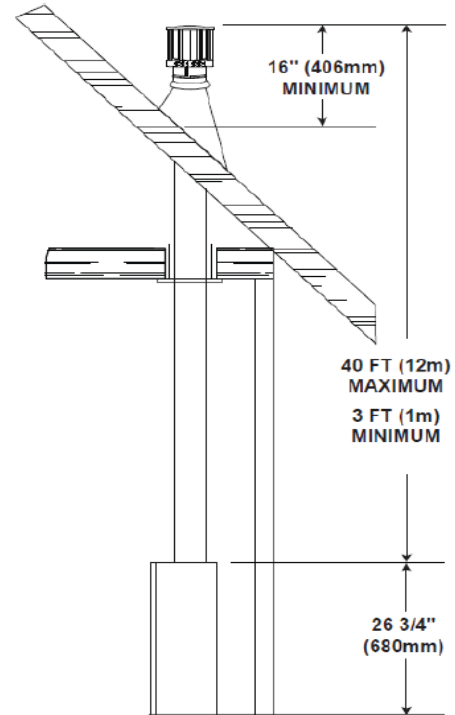
TDS28N Direct Vent Gas Stove

FEATURES

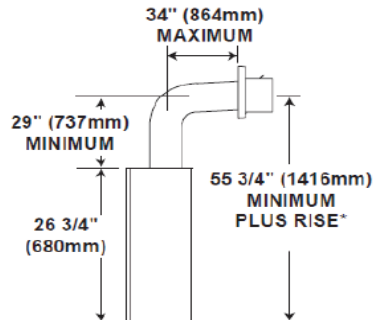
FUEL TYPE	Natural Gas
BLOWER	Included
GAS VALVE TYPE	Millivolt
LP COVERSION KIT	Yes
GLASS / VIEWING HEIGHT (IN)	11 3/8"
GLASS / VIEWING WIDTH (IN)	15"
TOTAL MAX (BTU) NG	30,000
TOTAL MAX (BTU) LP	26,000
WARRANTY	President Limited
FLUE SIZE	Lifetime
GLASS TYPE	Ceramic

EXTERIOR DIMENSIONS AND WEIGHT

WIDTH	22 1/2"
DEPTH	18 1/2"
HEIGHT	26 3/4"
WEIGHT	142. lb.

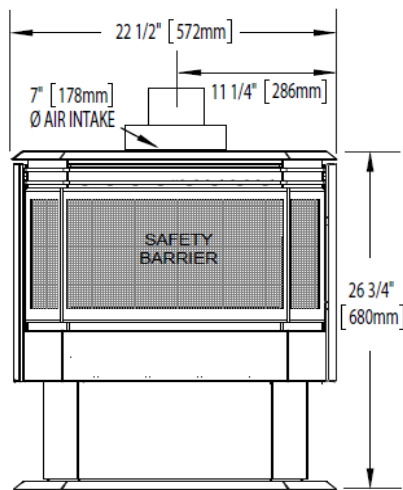


Typical Venting



Unit Dimensions

Front View



Right Side View

