



TDS50N Direct Vent Gas Stove



TDS50N Direct Vent Gas Stove

KEY SERIES FEATURES

- UP TO 40,000 BTU'S
- Heat radiating ceramic glass
- Safety Screen Included
- Flame/Heat adjustment for maximum and efficiency
- Advanced, Triple-Burner
- No Electricity Required
- Blower Included
- Turbo Boost Burner
- Equipped with 100% SAFE GUARD™ gas control system for your peace of mind
- Flue Size: 4" /7"
- Approved for Ventis, Duravent, Amerivent, Direct Temp and SuperSeal direct vent systems

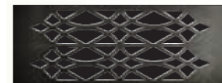
The Timberwolf TDS50 is the perfect choice to add long-lasting value to your home. A built-in blower and extra-large heat exchanger acts as a boost to bring loads of heat on those particularly chilly days. The triple burner creates a lovely and cozy flame pattern as it dances among the handmade logs. The millivolt ignition ensures startups even if the power goes out.



Choice of Black or
Stainless Fronts



Andirons (Included)



Trivet (Included)



Blower (Included)



F45 Digital
On/Off Remote



F45 Digital T/Stat
On/Off Remote

Optional



TDS50N Direct Vent Gas Stove

This sophisticated gas stove comes complete with a built-in blower, extra large heat exchanger, easily accessible control panel and an advanced high tech, triple burner

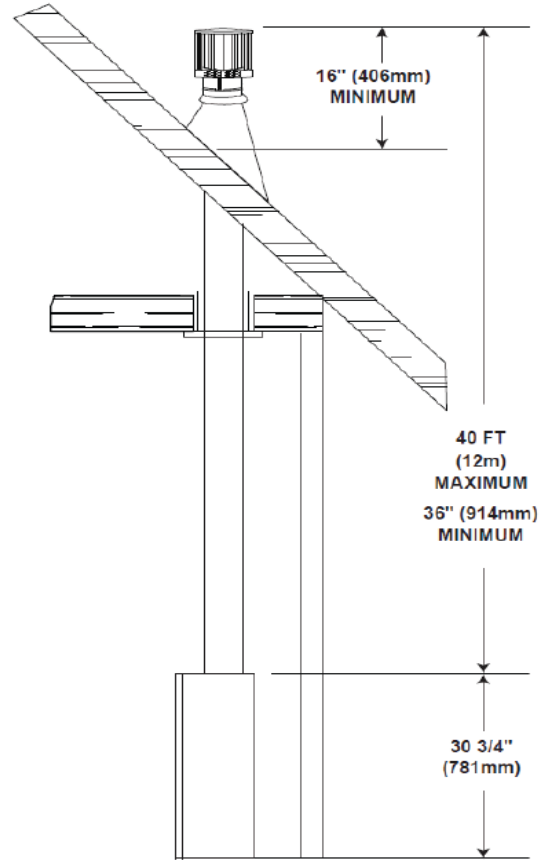
TDS50N Direct Vent Gas Stove

FEATURES

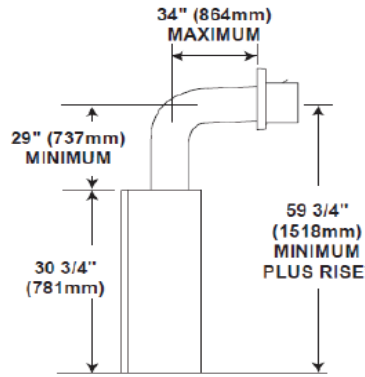
FUEL TYPE	Natural Gas
BLOWER	Included
GAS VALVE TYPE	Millivolt
LP COVERSION KIT	Yes
GLASS / VIEWING HEIGHT (IN)	12 5/8"
GLASS / VIEWING WIDTH (IN)	17 3/8"
TOTAL MAX (BTU) NG	44,000
TOTAL MAX (BTU) LP	40,000
WARRANTY	President Limited
FLUE SIZE	Lifetime
GLASS TYPE	4" x 7"
	Ceramic

EXTERIOR DIMENSIONS AND WEIGHT

WIDTH	28 1/4"
DEPTH	21 5/8"
HEIGHT	30 3/4"
WEIGHT	235. lb.

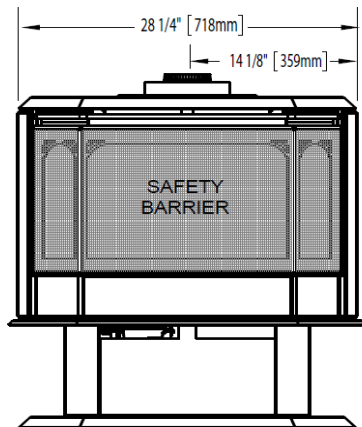


Typical Venting



Unit Dimensions

Front View



Right Side View

