



## TDS60N Direct Vent Gas Stove



TDS60N Direct Vent Gas Stove

### KEY SERIES FEATURES

- UP TO 35,000 BTU'S
- Heat radiating ceramic glass
- Safety Screen Included
- Flame/Heat adjustment for maximum and efficiency
- Safety Screen Included
- No Electricity Required
- Compact, easily accessible and user-friendly controls
- Equipped with 100% SAFE GUARD™ gas control system for your peace of mind
- Flue Size: 4" /7"
- Approved for Ventis, Duravent, Amerivent, Direct Temp and SuperSeal direct vent systems

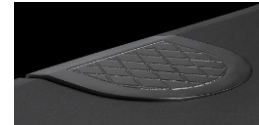
The TDS60N features cast iron design, solid performance and impressive heating efficiencies. Its fine detailing and elegant cast iron design is a perfect complement to any home. A hand-painted log set is engulfed in flames thanks to the advanced burner system. This produces copious amounts of comfortable heat and light, perfect for any space.



Sandstone Brick Panel  
(Optional)



Andirons (Optional)



Trivet (Optional)  
*Note: needed when rear venting*



Blower (Optional)



F45 Digital  
On/Off Remote



F45 Digital T/Stat  
On/Off Remote

Optional



TDS60N Direct Vent Gas Stove

All of Timberwolf's Cast Iron Series Gas Stoves boast solid performance and impressive heating efficiencies. Gas Stoves add more than just a reliable heating source to a home, their classic design never goes out of style. The log set and brightly glowing ember bed can be viewed through the European styled ceramic glass, each unit featuring unique curving arches that bring to mind old-world charm. Their large viewing area is as impressive as their heating power. These stoves will provide a lifetime of enjoyable comfort and style.

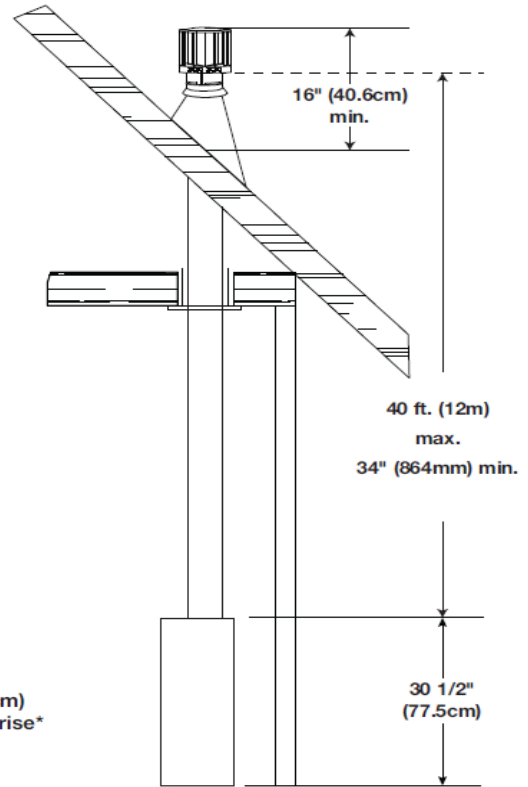
# TDS60N Direct Vent Gas Stove

## FEATURES

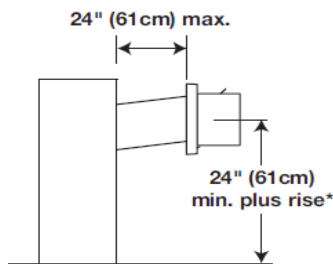
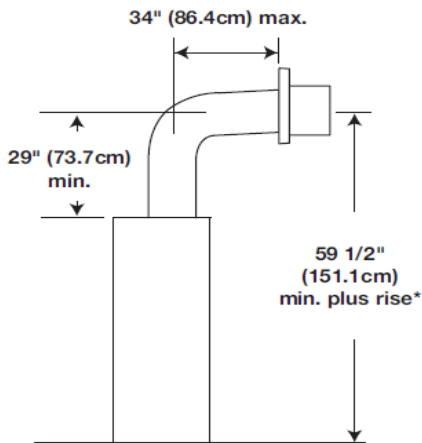
FUEL TYPE	Natural Gas
BLOWER	Optional
GAS VALVE TYPE	Millivolt
LP COVERSION KIT	Yes
GLASS / VIEWING HEIGHT (IN)	18 3/4"
GLASS / VIEWING WIDTH (IN)	21"
TOTAL MAX (BTU) NG	35,000
TOTAL MAX (BTU) LP	31,500
REAR VENT	21,000
WARRANTY	President Limited Lifetime
FLUE SIZE	4" x 7"
GLASS TYPE	Ceramic

## EXTERIOR DIMENSIONS AND WEIGHT

WIDTH	27"
DEPTH	19 1/2"
HEIGHT	30 1/2"
WEIGHT	236. lb.

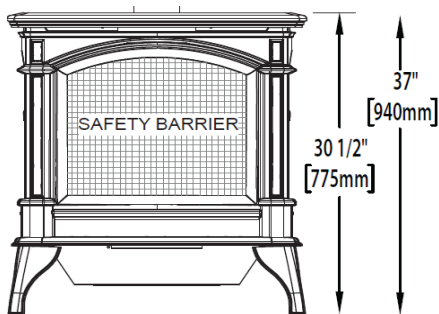


## Typical Venting

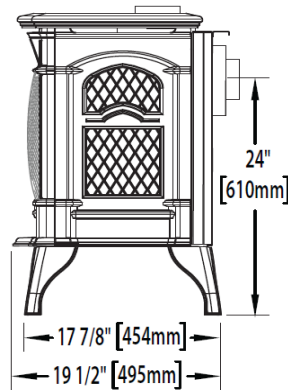


## Unit Dimensions

Front View



Right Side View



Top View

