



## TI3C-1 Timberwolf Contemporary Woodburning Insert

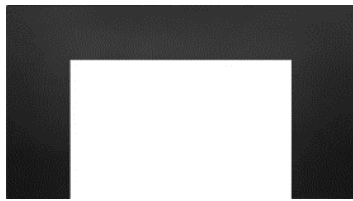


TI3C-1 Contemporary Wood Insert

### KEY SERIES FEATURES

- Up to 55,000 BTU's
- 1.8 cu. ft. firebox capacity
- Weighted average emissions rate: 1.21 g/hr.
- Weighted average overall efficiency: 71.6%
- Largest ceramic glass viewing area in the industry
- Full refractory lined firebox
- Effective air wash
- Tested and certified to EPA 2020 cord wood requirements
- Minimum fireplace opening: 28"W x 22"H x 16"D
- Dual blower system included
- Flue Size: 6"

The TI3C-1 features a contemporary flush front with a cast iron surround. Four stainless steel secondary air tubes supercharge the fuel burning process and generate a beautiful display of burning flames. Complete with a removable painted black log retainer and a heat circulating blower, the TI3C-1 is the perfect heating solution to replace and update drafty masonry fireplaces in a home or cottage.



BP3 - For Placement Between Surround and Wall



Dual Blower Included



Removable Log Retainer



TI3C-1 Contemporary Wood Insert

Self-contained and more efficient than an existing woodburning fireplace opening, a woodburning insert is a great way to ensure that your home is running more productively. Venting out the existing chimney, woodburning inserts ensure that drafts can no longer enter your home. These inserts are built to exceed standards for clean-burning which ensures loads of even heat and comfort for hours on end. Whether you go with a contemporary, clean-lined look or something a little more on the traditional side, there is nothing compared to the joy and scent of building your own woodburning fire in a woodburning insert.

# TI3C-1 Series Timberwolf Woodburning Insert

## FEATURES

COLOR	Black
BURN TIME (ON LOW SETTING)	8 hours
COMBUSTION TECHNOLOGY	Non-catalytic
RECOMMENDED HEATING AREA (1)	Up to 1,500 ft <sup>2</sup>
HEATING CAPACITY - BTU/h, SEASONED CORD WOOD	55,000 BTU/h
EMISSIONS (EPA)	1.21 g/h
OPTIMUM EFFICIENCY	71.60%
FIREBOX DIMENSIONS (W X D)	20 7/8" x 13 3/4"
FIREBOX VOLUME	1.8 ft <sup>3</sup>
GLASS VIEWING AREA (W X H)	25" x 12"
DOOR TYPE	Cast Iron Door
MAXIMUM LOG LENGTH	18"
LOG POSITIONING	Left-right
FLUE COLLAR DIAMETER	6"
GLASS TYPE	Ceramic glass
WARRANTY	Presidents Limited lifetime

## EXTERIOR DIMENSIONS AND WEIGHT

WIDTH	42 1/2"
DEPTH	17 5/16"
HEIGHT	21 1/8"
WEIGHT	496 lb.

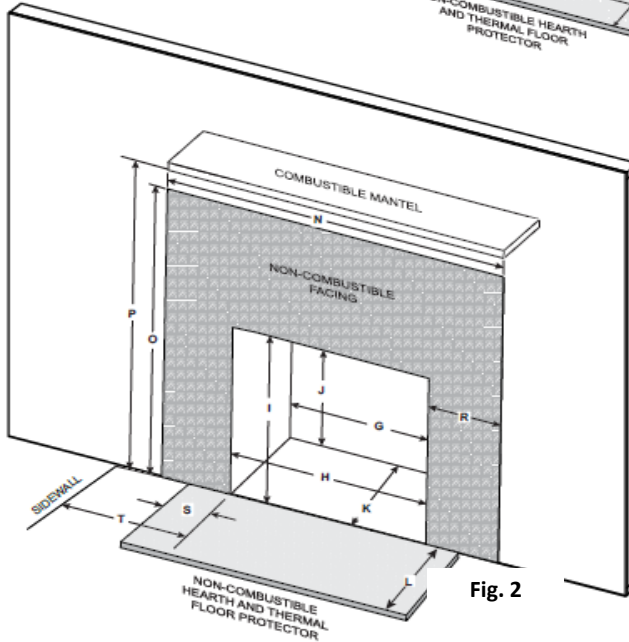
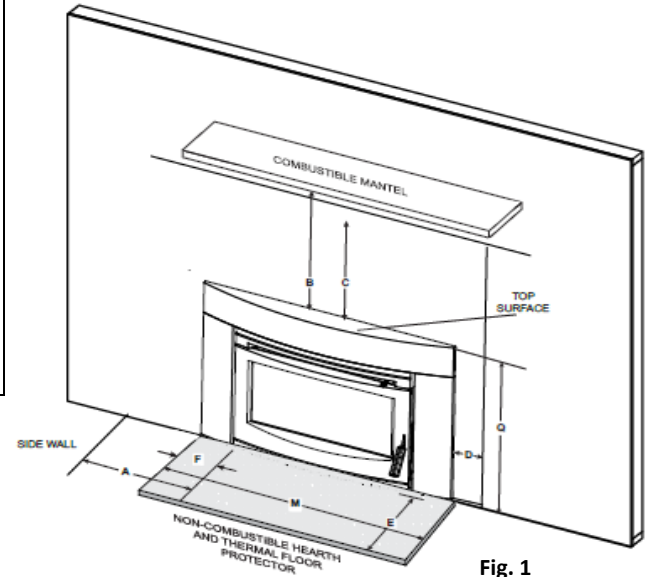
## MINIMUM CLEARANCES (Fig. 1)

A - Sidewall	12"
B - Mantel	16"
C - Top Facing	16"
D - Side Facing	6"
E - Hearth (front)	16"
F - Hearth (side)	8"

## MINIMUM APPLIANCE

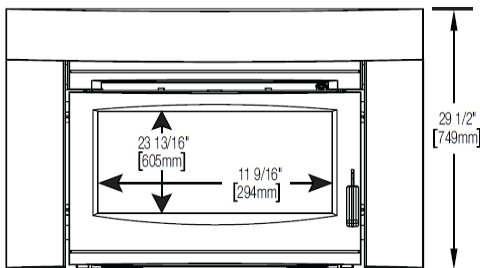
### OPENING (Fig. 2)

G - Width (rear)	23"
H - Width (front)	28"
I - Height (front)	22"
J - Height (rear)	19"
K - Depth	18"
L - Hearth width	20"
M - Hearth width	46"
N - Facing width	54 1/2"
O - Facing width	45 1/2"
P - Mantel	45 1/2"
Q - Height of top surface	29 1/2"
R - Side facing	13 1/4"
S - Hearth (side)	9"
T - Sidewall	13"

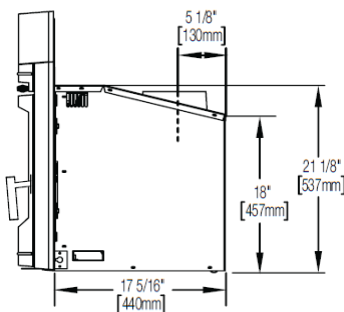


## Unit Dimensions

### Front View



### Right Side View



### Top View

