

# HE250R Ventis Wood Fireplace

VB00015



## Key Features

- EPA certified at only 1.26 g/h
- Non-catalytic combustion technology
- 176 CFM blower included
- Fresh air intake adapter included
- 6" Ventis stainless steel anchor plate included
- Heating Area (750 - 2,200 sq. ft.)
- Firebox Size 2.5 sq. ft.
- Maximum Burn Time 8 hours
- Maximum Output 110,000 BTU/h
- Optimum efficiency 74%
- Recommended Log length 20 inches
- Flue Size 6 inches

## Options



VBA1560 Black Front

**REQUIRED**



AC01275 Fire screen Door



AC01363 Forced Air



AC01389 Modern Hot Air  
with Adjustable Pipe

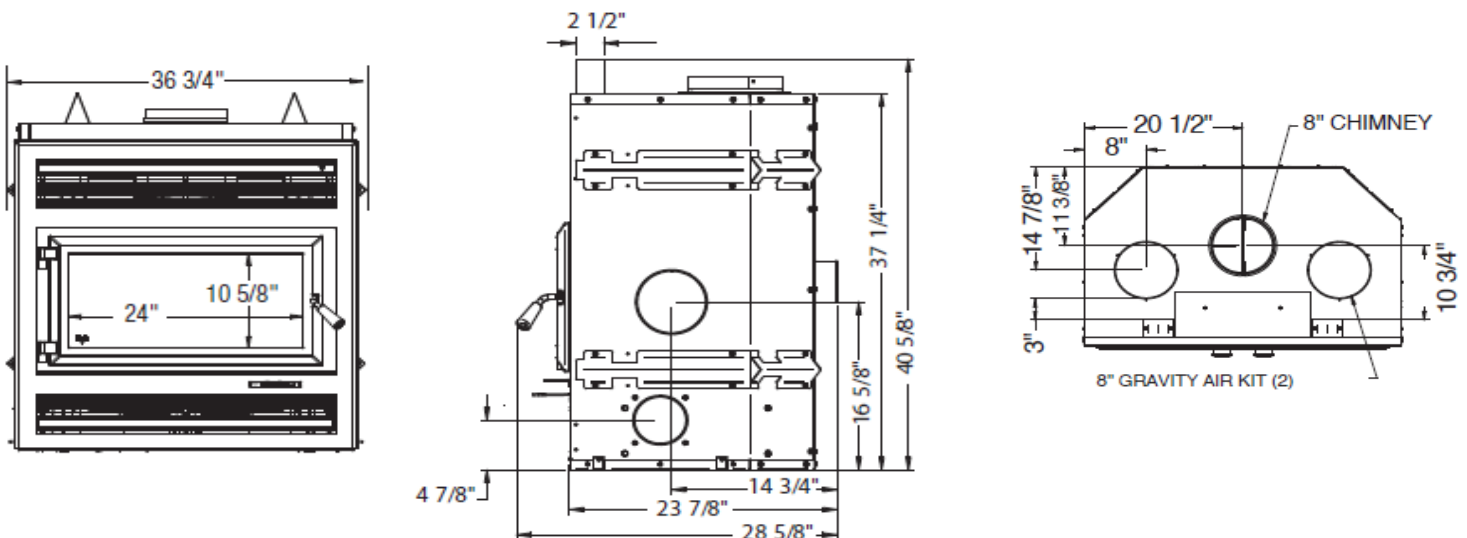


AC01375 Traditional Hot  
Air Gravity Kit



AC01350 Insulated Flex For  
Forced Air Kit

## Specifications



# HE250R Ventis Wood Fireplace

## FEATURES

COLOR	Black
BURN TIME (ON LOW SETTING)	8 hours
COMBUSTION TECHNOLOGY	Non-catalytic
HEATING CAPACITY - BTU/h, EPA TEST LOAD	48,200
HEATING CAPACITY - BTU/h, SEASONED CORD WOOD	80,000
EMISSIONS (EPA)	1.14 g/h
OPTIMUM EFFICIENCY	74%
DOOR OPENING DIMENSIONS (W X H)	25 3/8" x 10 9/16"
FIREBOX DIMENSIONS (W X D) BEHIND ANDIRON	20 3/8" x 12 7/8"
GLASS VIEWING AREA (W X H)	24" x 10 5/8"
DOOR TYPE	Single, glass with cast iron frame
MAXIMUM LOG LENGTH	20"
LOG POSITIONING	Over width
CHIMNEY DIAMETER (INNER)	6"
MINIMUM CHIMNEY HEIGHT (FROM BASE OF FIREPLACE)	15'
GLASS TYPE	Ceramic glass
WARRANTY	Limited lifetime

## EXTERIOR DIMENSIONS AND WEIGHT

WIDTH	36 3/4"
DEPTH	28 5/9"
HEIGHT	40 5/8"
WEIGHT	495 lb.

## CLEARANCES FROM UNIT TO COMBUSTIBLE MATERIALS

SIDE WALL	13"
BACK WALL	0"
SIDES	0"
FLOOR	0"
CEILING	80"
SHELF* (FROM BOTTOM OF FIREPLACE)	58"
SIDE MANTLE	8"
NON-COMBUSTIBLE SURROUND (TOP) FROM FACEPLATE	To the ceiling
NON-COMBUSTIBLE SURROUND (SIDES) FROM FACEPLATE	1 1/2"

*\*For installation of a 6" deep shelf. For other shelf dimensions, refer to the owner's manual. \*\*Non-combustible shelf only.*