

HE325 Ventis Wood Fireplace

VB00018



Key Features

- Designed mainly for heating
- EPA certified at only 1.14 g/h
- Non-catalytic combustion technology
- 176 CFM blower included
- Retractable doors
- 6" Ventis stainless steel anchor plate included
- Heating Area (750 - 2,500 sq. ft.)
- Firebox Size 3.0 sq. ft.
- Maximum Burn Time 9 hours
- Maximum Output 80,000 BTU/h
- Optimum efficiency 72%
- Recommended Log length 18 inches
- Flue Size 6 inches

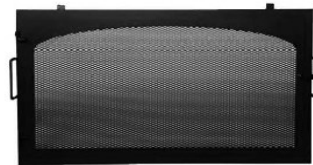
Options



VBA1570 Faceplate
REQUIRED



VA4460 Forced Air Kit



AC01379 Fire screen Door

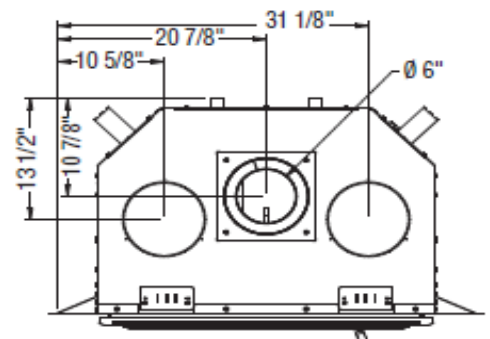
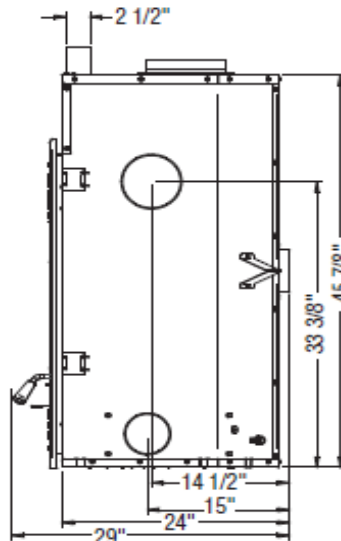
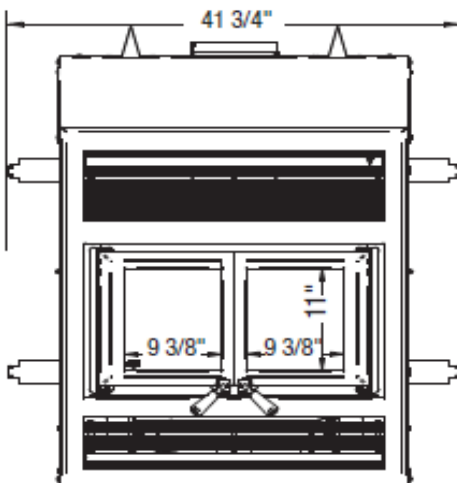


AC01375 Traditional Hot
Air Gravity Kit



AC01350 Insulated Flex For
Forced Air Kit

Specifications



HE325 Ventis Wood Fireplace

FEATURES

COLOR	Black
BURN TIME (ON LOW SETTING)	9 hours
COMBUSTION TECHNOLOGY	Non-catalytic
HEATING CAPACITY - BTU/h, EPA TEST LOAD	49,654
HEATING CAPACITY - BTU/h, SEASONED CORD WOOD	85,000
EMISSIONS (EPA)	0.99 g/h
OPTIMUM EFFICIENCY	72%
DOOR OPENING DIMENSIONS (W X H)	20 3/4" x 10 1/4"
FIREBOX DIMENSIONS (W X D) BEHIND ANDIRON	18 5/8" x 17"
GLASS VIEWING AREA (W X H)	18 3/4" x 11"
DOOR TYPE	Double, glass with cast iron frame 18"
MAXIMUM LOG LENGTH	18"
LOG POSITIONING	Over width
CHIMNEY DIAMETER (INNER)	6"
MINIMUM CHIMNEY HEIGHT (FROM BASE OF FIREPLACE)	15'
GLASS TYPE	Ceramic glass
WARRANTY	Limited lifetime

EXTERIOR DIMENSIONS AND WEIGHT

WIDTH	33 5/8"
DEPTH	29"
HEIGHT	40 5/8"
WEIGHT	500 lb.

CLEARANCES FROM UNIT TO COMBUSTIBLE MATERIALS

SIDE WALL	21"
BACK WALL	0"
SIDES	0"
FLOOR	0"
CEILING	84"
SHELF* (FROM BOTTOM OF FIREPLACE)	48" (non-combustible)
SIDE MANTLE	8"
NON-COMBUSTIBLE SURROUND (TOP) FROM FACEPLATE	24"
NON-COMBUSTIBLE SURROUND (SIDES) FROM FACEPLATE	4"

**For installation of a 6" deep shelf. For other shelf dimensions, refer to the owner's manual. **Non-combustible shelf only.*