

HE350 Ventis Wood Fireplace

VB00005



Key Features

- Designed mainly for heating large spaces
- EPA certified at only 1.6 g/h
- 176 CFM blower included
- Retractable doors
- 8" Ventis stainless steel anchor plate included
- Heating Area (1,000 - 2,800 sq. ft.)
- Firebox Size 4.28 sq. ft.
- Maximum Burn Time 11 hours
- Maximum Output 95,000 BTU/h
- Optimum efficiency 69.7%
- Recommended Log length 25 inches
- Flue Size 8 inches

Options



VBA1540 Traditional Faceplate
REQUIRED



AC02360 Refractory
REQUIRED



VA4460 Forced Air Kit



AC01378 Warm Air
Circulating Grille

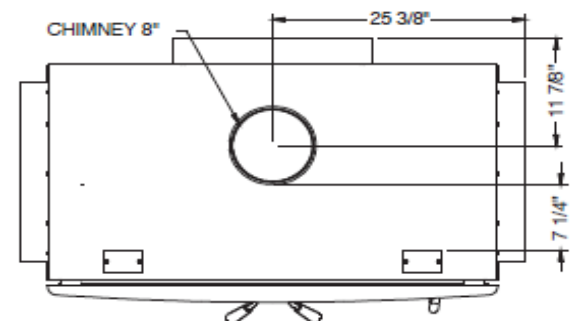
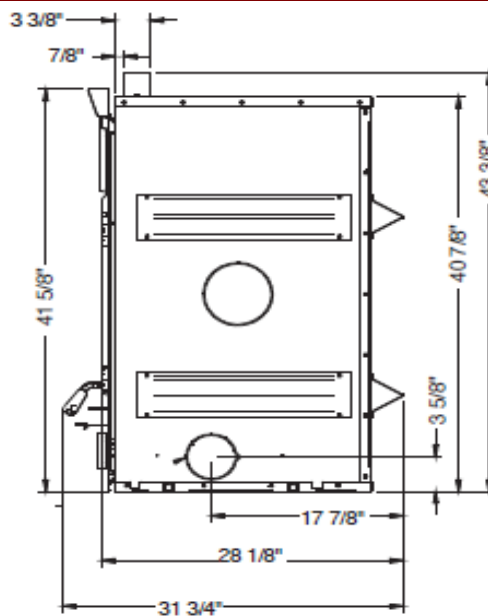
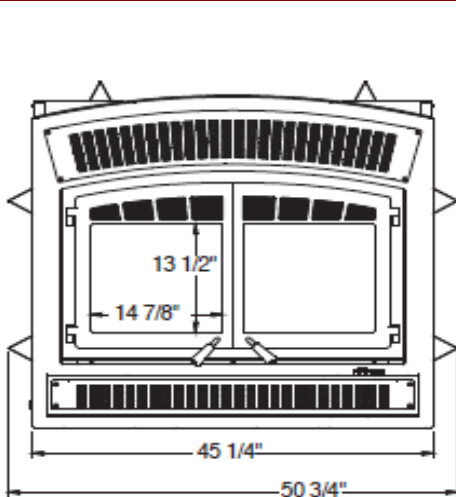


AC01375 Traditional Hot
Air Gravity Kit



AC01350 Insulated Flex For
Forced Air Kit

Specifications



HE350 Ventis Wood Fireplace

FEATURES

COLOR	Black
BURN TIME (ON LOW SETTING)	11 hours
COMBUSTION TECHNOLOGY	Non-catalytic
HEATING CAPACITY - BTU/h, EPA TEST LOAD	43,021
HEATING CAPACITY - BTU/h, SEASONED CORD WOOD	95,000
EMISSIONS (EPA)	1.6 g/h
OPTIMUM EFFICIENCY	69.7%
DOOR OPENING DIMENSIONS (W X H)	33" x 12 3/4"
FIREBOX DIMENSIONS (W X D) BEHIND ANDIRON	25 3/8" x 17 7/8"
GLASS VIEWING AREA (W X H)	29 3/4" x 13 1/2"
DOOR TYPE	Double, glass with cast iron frame
MAXIMUM LOG LENGTH	25"
LOG POSITIONING	Over width
CHIMNEY DIAMETER (INNER)	8"
MINIMUM CHIMNEY HEIGHT (FROM BASE OF FIREPLACE)	15'
GLASS TYPE	Ceramic glass
WARRANTY	Limited lifetime

EXTERIOR DIMENSIONS AND WEIGHT

WIDTH	45 1/4"
DEPTH	31 3/4"
HEIGHT	43 3/8"
WEIGHT	555 lb.

CLEARANCES FROM UNIT TO COMBUSTIBLE MATERIALS

SIDE WALL	24"
BACK WALL	0"
SIDES	0"
FLOOR	0"
CEILING	84"
SHELF* (FROM BOTTOM OF FIREPLACE)	52"***
SIDE MANTLE	8"
NON-COMBUSTIBLE SURROUND (TOP) FROM FACEPLATE	To the ceiling
NON-COMBUSTIBLE SURROUND (SIDES) FROM FACEPLATE	3 1/16"

For installation of a 6" deep shelf. For other shelf dimensions, refer to the owner's manual. *Non-combustible shelf only.*