

# ME300 Ventis Wood Fireplace

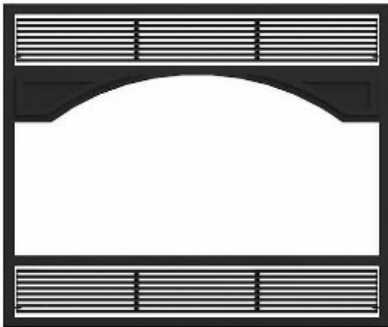
VB00001



## Key Features

- Designed mainly for ambiance
- Incomparable view on the flames
- Fire screen doors included
- 176 CFM blower included
- Retractable doors
- 8" Ventis stainless steel anchor plate included
- Fresh air intake adapter included
- Firebox Size 4.25 sq. ft.
- Maximum Burn Time 9 hours
- Double, ceramic glass with cast iron frame
- Recommended heating area < 1,500 sq. ft.
- Recommended Log length 20 inches
- Flue Size 8 inches

## Options



VBA1520 Modern Faceplate  
**REQUIRED**



AC01350 Insulated Flex  
For Forced Air Kit



AC01376 Modern Hot Air  
Gravity Kit

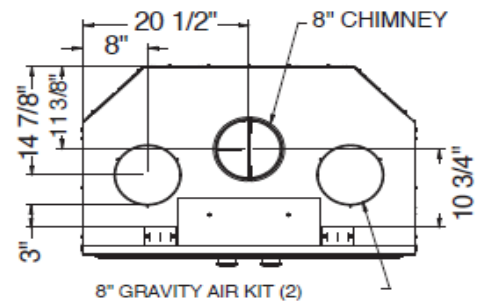
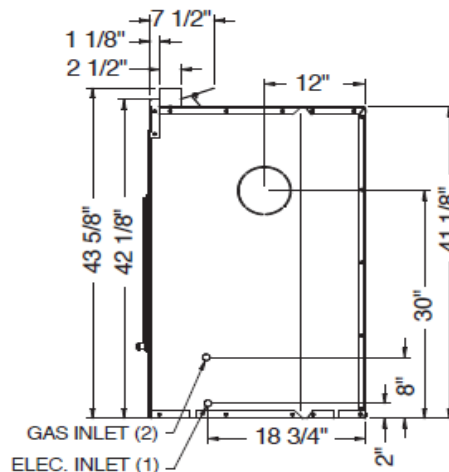
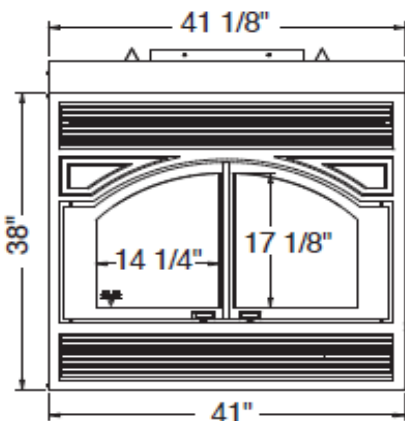


AC01375 Traditional Hot  
Air Gravity Kit



AC01340 Forced Air Kit

## Specifications



# ME300 Ventis Wood Fireplace

## FEATURES

COLOR	Black
BURN TIME (ON LOW SETTING)	N/A
COMBUSTION TECHNOLOGY	Non-catalytic
HEATING CAPACITY - BTU/h, EPA TEST LOAD	N/A
HEATING CAPACITY - BTU/h, SEASONED CORD WOOD	N/A
EMISSIONS (EPA)	2.9 g/kg
OPTIMUM EFFICIENCY	N/A
DOOR OPENING DIMENSIONS (W X H)	30" x 16 1/2"
FIREBOX DIMENSIONS (W X D) BEHIND ANDIRON	23 1/8" x 11 3/8"
GLASS VIEWING AREA (W X H)	28 3/4" x 16 1/2"
DOOR TYPE	Double, glass with steel frame
MAXIMUM LOG LENGTH	20"
LOG POSITIONING	Over width
CHIMNEY DIAMETER (INNER)	8"
MINIMUM CHIMNEY HEIGHT (FROM BASE OF FIREPLACE)	15'
GLASS TYPE	Ceramic glass
WARRANTY	Limited lifetime

## EXTERIOR DIMENSIONS AND WEIGHT

WIDTH	41 1/8"
DEPTH	27 1/4"
HEIGHT	43 5/8"
WEIGHT	511 lb.

## CLEARANCES FROM UNIT TO COMBUSTIBLE MATERIALS

SIDE WALL	24"
BACK WALL	0"
SIDES	0"
FLOOR	0"
CEILING	72"
SHELF* (FROM BOTTOM OF FIREPLACE)	48"
SIDE MANTLE	0"
NON-COMBUSTIBLE SURROUND (TOP) FROM FACEPLATE	5 1/2"
NON-COMBUSTIBLE SURROUND (SIDES) FROM FACEPLATE	0"

*\*For installation of a 6" deep shelf. For other shelf dimensions, refer to the owner's manual. \*\*Non-combustible shelf only.*